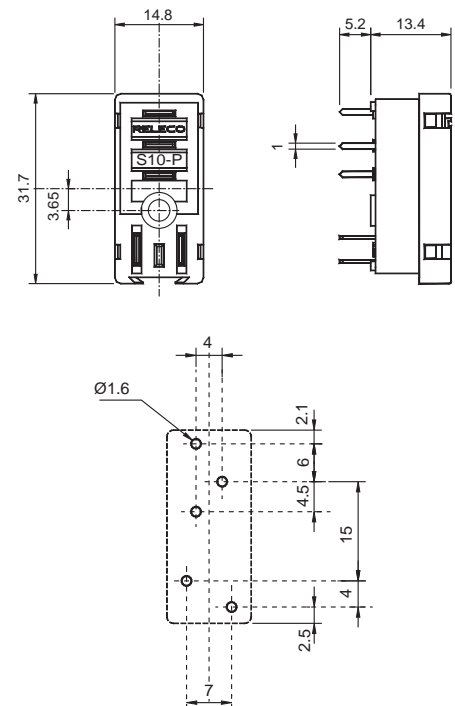


IRC series
S10-P
Printed circuit socket for Interface relays, C10 and CSS

Type:	S10-P Printed circuit socket for 1-pole IRC relay
Rated current	10 A
Specifications	
Rated load	10 A/250 V
Coil terminals to contacts	5 kV rms
Hard Brass tin-platted terminals	0,5 x 1 mm
Insulation	
Integrated retaining clip/plastic	for relay series C10, CSS
Labelling space	detachable
Connection label	1...5; DIN/EN
Ambient temperature operation/storage	-40 (no ice)...60 °C /-40 ... 80 °C



Dimensions [mm]



Technical approvals, conformities



IEC 61810 EN 60947