

MRC series

S2-B

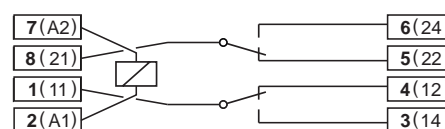
Socket for 8-pin standard relay according to IEC 67-I-5B

Type	S2-B 2-pole, 1 connection level Coding ring optional Integrated retaining clip and labelling space
Rated current	10 A
Specifications	
Rated load	10 A/300V
Insulation	Test voltage V rms 1 min
- All terminals/DIN rail	2,5 kV
- Terminal/terminal	2,5 kV
Cross-section of connecting wire	
- Single-wire	4 mm ² or 2 x 2,5 mm ²
- Multi-wire	22 - 14 AWG
Max. screw torque	1,2 Nm
Screw dimensions	M3, Pozi, slot
Integrated retaining clip/plastic	for relay series C2
Labelling space	detachable
Connection label	1...8; DIN/EN
Mounting	DIN rail T35 or mounting plate
Ambient temperature operation/storage	-40 (no ice)...60 °C / -40 ... 80 °C
Associated, plug-in 8-pin MRC relays	C2-A, C2-G, C2-T
Suitable for holding the Releco coding ring	
For coding the relay and the socket.	

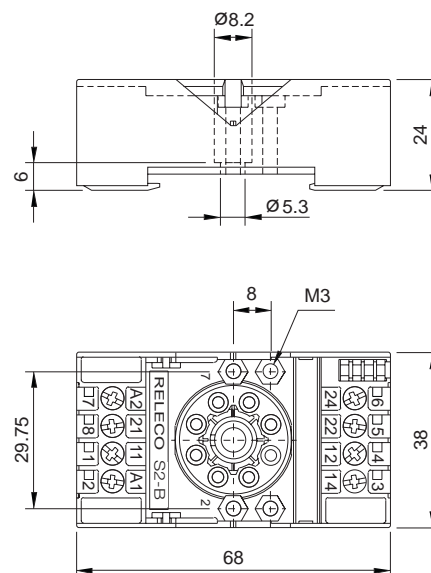
Accessories	
Coding ring, blue set:	S2-BC Packaging unit: 5 pcs
Retaining spring, steel	S3-C, S3-CT (with Timecube)



Connection diagram



Dimensions [mm]



Technical approvals, conformities



EN 60947-1, EN 61810-5