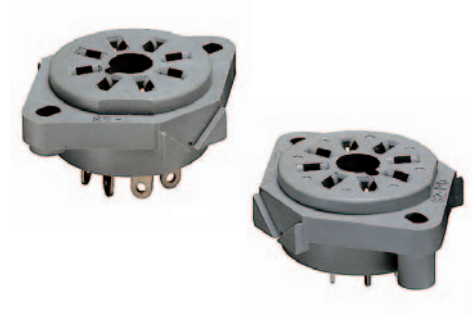
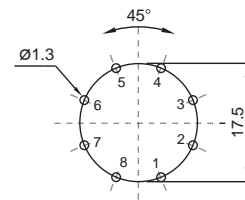


MRC series
S2-L, S2-P, S2-PO
Socket for printed circuit according to IEC 67-I-5b for relays C2-...

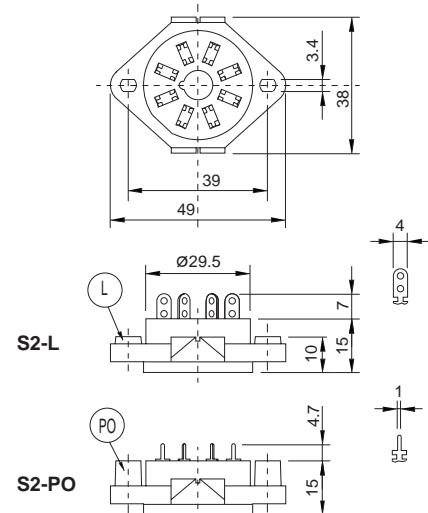
Type	S2-L 2-pole, flange panel mountable
	S2-P 2-pole, printed circuit
	S2-PO 2-pole, printed circuit with flange
Rated current	10 A
Specifications	
Rated load	10 A/300 V
Test voltage benachbarte Anschlüsse	2.5 kV rms 1 min
Connection label	1...8; DIN/EN
Ambient temperature operation/storage	-40 (no ice)...60 °C /-40 ... 80 °C
Accessories	
Retaining spring, steel	S3-C



Printed circuit lay-out [mm]



Dimensions [mm]



Technical approvals, conformities

