

MRC series

S3-MS

Socket for 11-pin standard relay according to IEC 67-I-18b

RELECO

| | |
|--|--|
| Type | S3-MS 3-pole, 1 connection level Coding ring optional Integrated retaining clip and labelling space Accepts plug-in modules M3-S in serie with the coil |
| Rated current | 10 A |
| Specifications | |
| Rated load | 10 A/250V |
| Insulation | Test voltage V rms 1 min |
| – All terminals/DIN rail | 2,5 kV |
| – Terminal/terminal | 2,5 kV |
| Cross-section of connecting wire | |
| – Single-wire | 4 mm ² or 2 x 2,5 mm ² |
| – Multi-wire | 22 - 14 AWG |
| Max. screw torque | 1,2 Nm |
| Screw dimensions | M3, Pozi, slot |
| Integrated retaining clip/plastic | for relay series C2 |
| Labelling space | detachable |
| Connection label | 1...8; DIN/EN |
| Mounting | DIN rail T35 or mounting plate |
| Ambient temperature operation/storage | -40 (no ice)...60 °C /-40 ... 80 °C |
| Associated, plug-in 11-pin-MRC-Relais | C3-A, C3-G, C3-T, C3-X, C3-M, C3-R, C3-E, C3-N |
| Suitable for holding the Releco coding ring | |
| For coding the relay and the socket. | |

Accessories

Coding ring, blue set:

Parallel module

Retaining spring, steel

S3-BC

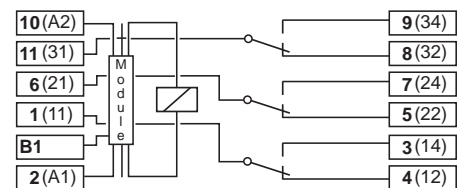
Packaging unit: 5 pcs

M3-S

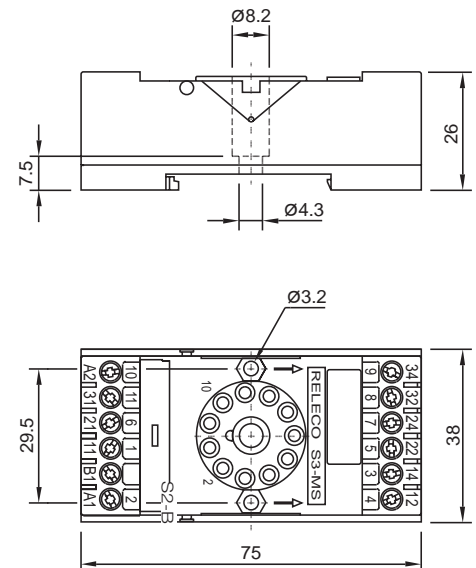
S3-C, S3-CT (with Timecube)



Connection diagram



Dimensions [mm]



Technical approvals, conformities

