

**QRC series**  
**S7-L, S7-P, S7-PO**  
**Socket for printed circuit for miniature relays C7**

<b>Type</b>	<b>S7-L</b> 2-pole, flange panel mountable
	<b>S7-P</b> 2-pole, printed circuit
	<b>S7-PO</b> 2-pole, printed circuit with flange

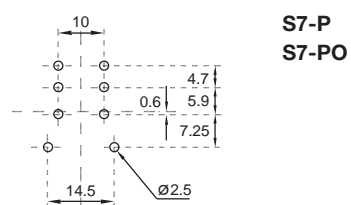
**Rated current** **10 A**

**Specifications**

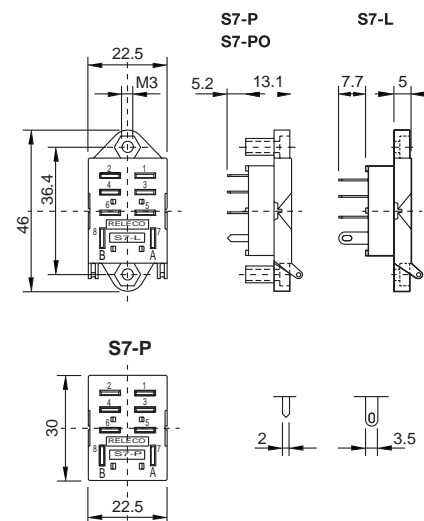
Rated load	10 A/250 V
Dielectric strength adjacent pin	2.5 kV rms 1 min
Connection label	1...8; DIN/EN
Integrated retaining clip/plastic	for relay series C7
Ambient temperature operation/storage	-40 (no ice)...60 °C / -40 ... 80 °C



**Printed circuit lay-out [mm]**



**Dimensions [mm]**



**Technical approvals, conformities**



EN 60947-1, EN 61810-5