

**QRC series**  
**S9-L, S9-P, S9-PO**  
**Socket for printed circuit for miniature relays C9**

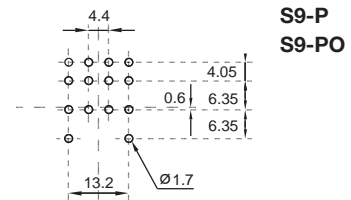
<b>Type</b>	<b>S9-L</b> 3-pole, flange panel mountable
	<b>S9-P</b> 3-pole, printed circuit
	<b>S9-PO</b> 3-pole, printed circuit with flange

**Rated current** **6 A**

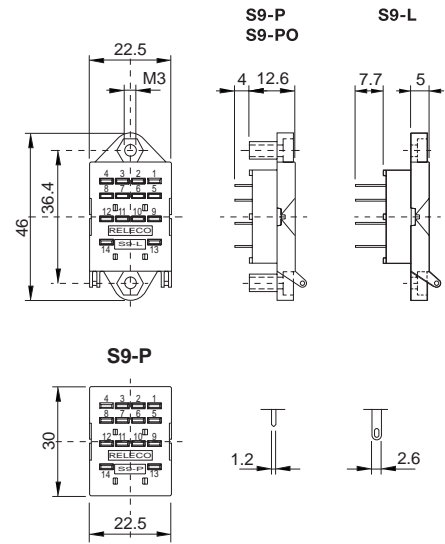
<b>Specifications</b>	
Rated load	6 A/250 V
Dielectric strength adjacent pin	2.5 kV rms 1 min
Connection label	1...14; DIN/EN
Integrated retaining clip/plastic	for relay series C9
Ambient temperature operation/storage	-40 (no ice)...60 °C / -40 ... 80 °C



**Printed circuit lay-out [mm]**



**Dimensions [mm]**



**Technical approvals, conformities**



EN 60947-1, EN 61810-5